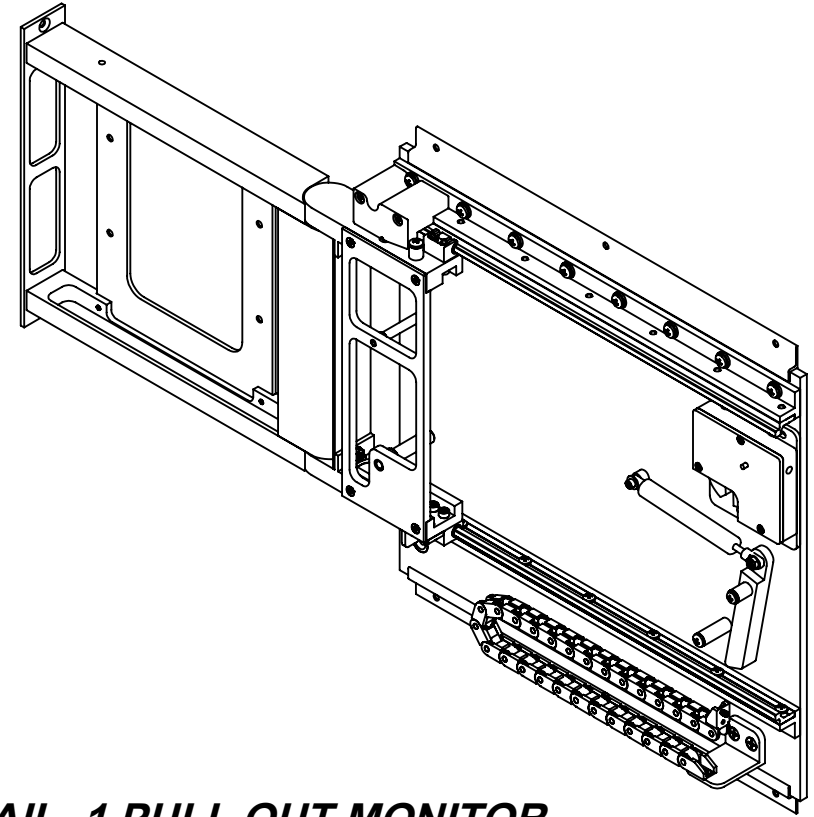


-3/QTY.	-1/QTY	ITEM	PART NUMBER	Description	SPEC
2	2	10	MS24693-C24	FLAT HEAD, 100 DEG, #6-32 X 0.25	
1	1	9	E04_07_018_0_01	CABLE CARRIER	△2
1		8	3545176-3	MONITOR ASSEMBLY	
	1	7	3545176-1	MONITOR ASSEMBLY	
1	1	6	3545173-1	GAS SPRING ASSEMBLY	
1		5	3545170-3	SLIDE ASSEMBLY	
	1	4	3545170-1	SLIDE ASSEMBLY	
1		3	3545164-3	MAIN PANEL ASM	
	1	2	3545164-1	MAIN PANEL ASM	
2	2	1	3502295-10	RETAINER	

REV.	DATE	DESCRIPTION
IR	12/12/08	INITIAL RELEASE
A	02/03/10	-3 ADDED



**GENERAL NOTES:
UNLESS OTHERWISE SPECIFIED**

1. BREAK ALL SHARP CORNERS

△2 PURCHASE FROM IGUS

DETAIL -1 PULL OUT MONITOR

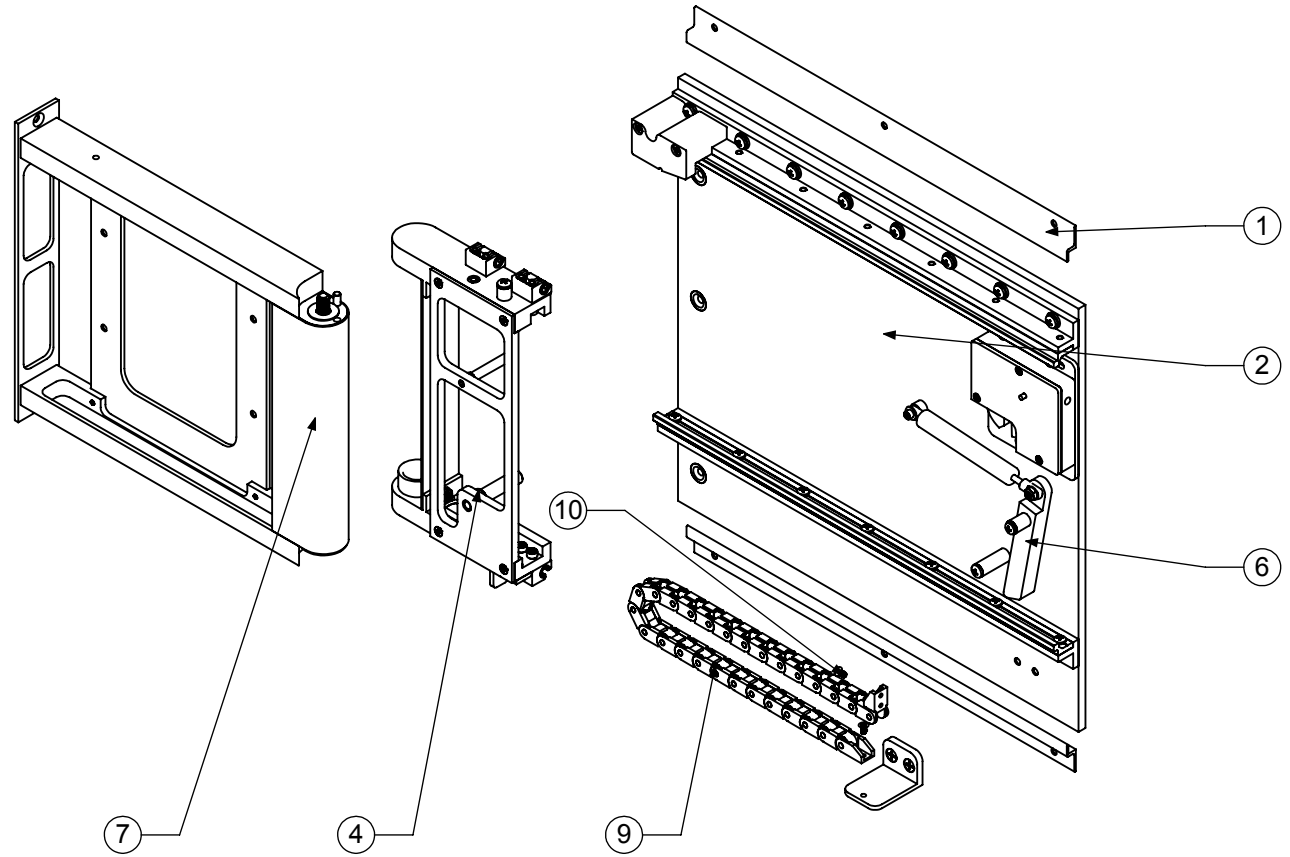
UNLESS OTHERWISE SPECIFIED DIMENSIONS ARE IN INCHES			DRAWN BY	MT	DATE	12/12/08	 5362 INDUSTRIAL DRIVE HUNTINGTON BEACH, CA 92649
TOLERANCES ON DECIMALS			CHECKED BY	MH	DATE	12/12/08	
.0 ± .1	MACH.	FORMED	APPROVED	MH	DATE	12/12/08	
.00 ± .01			±0°30'	±2°			
.000 ± .005			DO NOT SCALE PRINT BREAK ALL SHARP EDGES				TITLE
			ODD DASH NO'S SHOWN NEXT HIGHER CONSECUTIVE EVEN DASH NUMBER OPPOSITE				PULL OUT MONITOR
			SIZE	A	SCALE	1:5	DRAWING NUMBER
							3538-006
							SHEET NO.
							1 OF 5

STEECON CORPORATION PROPRIETARY RIGHTS ARE INCLUDED IN THE INFORMATION DISCLOSED HEREIN. RECIPIENT BY ACCEPTING THIS DOCUMENT AGREES THAT NEITHER THIS DOCUMENT NOR THE INFORMATION DISCLOSED HEREIN NOR ANY PART THEREOF SHALL BE REPRODUCED OR TRANSFERRED TO OTHER DOCUMENTS OR USED OR DISCLOSED TO OTHERS FOR MANUFACTURING OR FOR ANY OTHER PURPOSE EXCEPT AS SPECIFICALLY AUTHORIZED IN WRITING BY STEECON CORPORATION.

FILE:3538-006 PULL OUT MONITOR ASSEMBLY REV A

REV.	DATE	DESCRIPTION
IR	12/12/08	INITIAL RELEASE
A	02/03/10	-3 ADDED

D
C
B
A



DETAIL -1 PULL OUT MONITOR

STEECON CORPORATION PROPRIETARY RIGHTS ARE INCLUDED IN THE INFORMATION DISCLOSED HEREIN. RECIPIENT BY ACCEPTING THIS DOCUMENT AGREES THAT NEITHER THIS DOCUMENT NOR THE INFORMATION DISCLOSED HEREIN NOR ANY PART THEREOF SHALL BE REPRODUCED OR TRANSFERRED TO OTHER DOCUMENTS OR USED OR DISCLOSED TO OTHERS FOR MANUFACTURING OR FOR ANY OTHER PURPOSE EXCEPT AS SPECIFICALLY AUTHORIZED IN WRITING BY STEECON CORPORATION.

UNLESS OTHERWISE SPECIFIED DIMENSIONS ARE IN INCHES			DRAWN BY	MT	DATE	12/12/08
TOLERANCES ON DECIMALS			CHECKED BY	MH	DATE	12/12/08
.0 ± .1	MACH.	FORMED	APPROVED	MH	DATE	12/12/08
.00 ± .01	±0°30'	±2°				
.000 ± .005						
DO NOT SCALE PRINT BREAK ALL SHARP EDGES						
ODD DASH NO'S SHOWN NEXT HIGHER CONSECUTIVE EVEN DASH NUMBER OPPOSITE						
			SIZE	A	SCALE	1:5

STEECON
ENTERPRISES
5362 INDUSTRIAL DRIVE
HUNTINGTON BEACH, CA 92649

TITLE
PULL OUT MONITOR

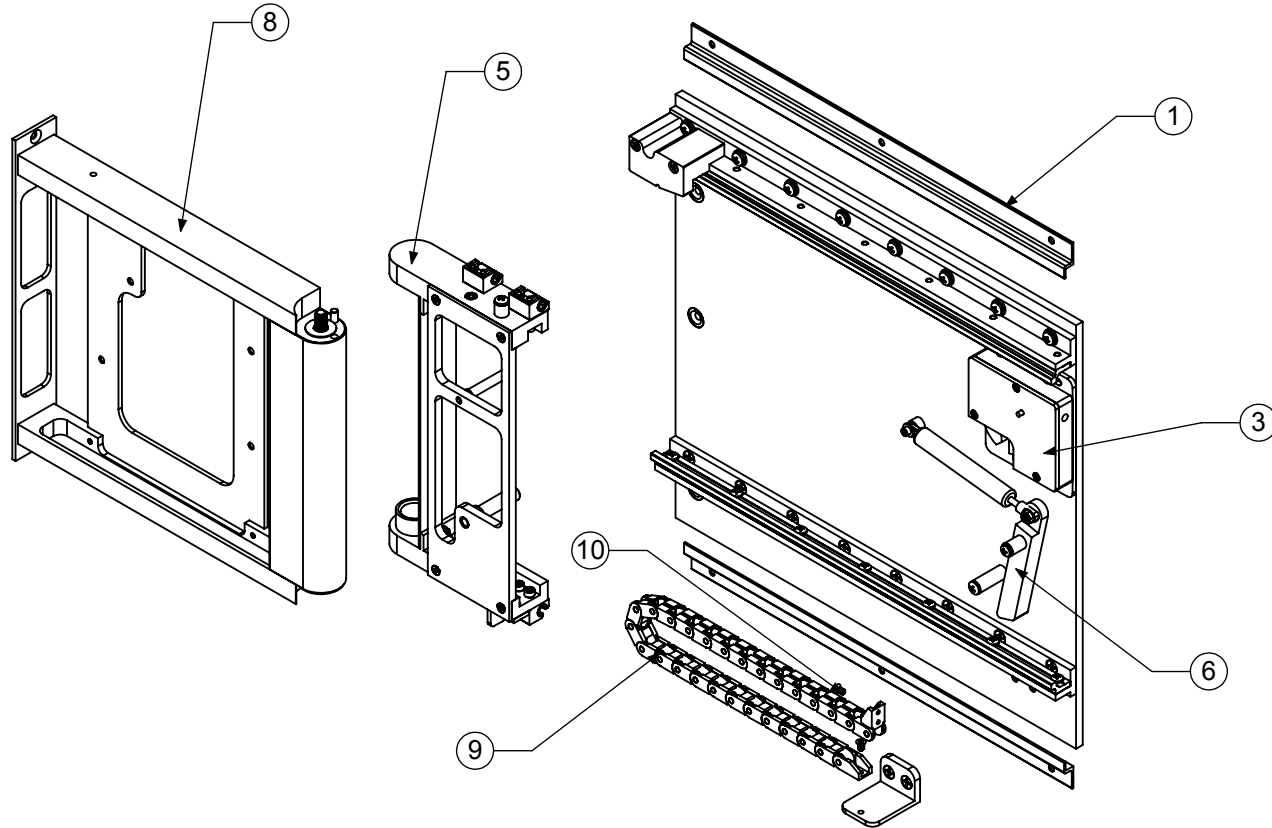
DRAWING NUMBER
3538-006

SHEET NO.
2 OF 5

8 7 6 5 4 3 2 1


D
C
B
A
FILE:3538-006 PULL OUT MONITOR ASSEMBLY REV A

REV.	DATE	DESCRIPTION
IR	12/12/08	INITIAL RELEASE
A	02/03/10	-3 ADDED

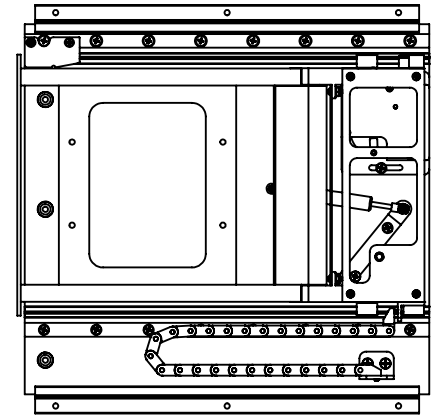
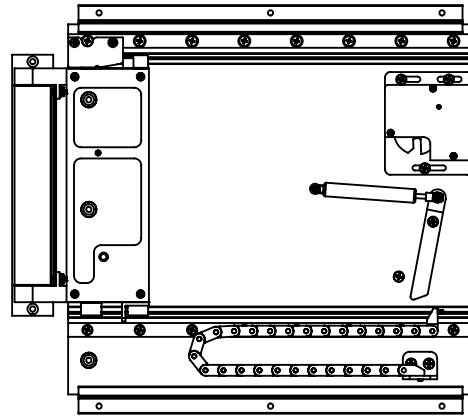
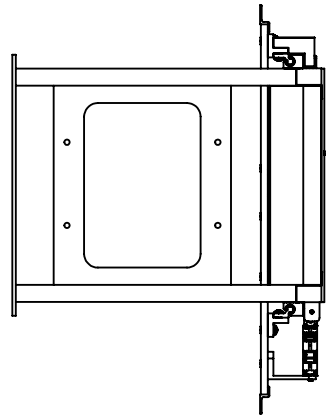
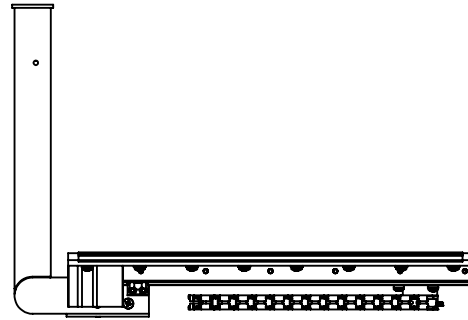


DETAIL -3 PULL OUT MONITOR

STEECON CORPORATION PROPRIETARY RIGHTS ARE INCLUDED IN THE INFORMATION DISCLOSED HEREIN. RECIPIENT BY ACCEPTING THIS DOCUMENT AGREES THAT NEITHER THIS DOCUMENT NOR THE INFORMATION DISCLOSED HEREIN NOR ANY PART THEREOF SHALL BE REPRODUCED OR TRANSFERRED TO OTHER DOCUMENTS OR USED OR DISCLOSED TO OTHERS FOR MANUFACTURING OR FOR ANY OTHER PURPOSE EXCEPT AS SPECIFICALLY AUTHORIZED IN WRITING BY STEECON CORPORATION.

UNLESS OTHERWISE SPECIFIED DIMENSIONS ARE IN INCHES		DRAWN BY	MT	DATE	12/12/08	 5362 INDUSTRIAL DRIVE HUNTINGTON BEACH, CA 92649		
TOLERANCES ON DECIMALS		CHECKED BY	MH	DATE	12/12/08			
.0 ± .1	MACH.	APPROVED	MH	DATE	12/12/08			
.00 ± .01	FORMED					TITLE	PULL OUT MONITOR	
.000 ± .005	±0°30'	±2°					DRAWING NUMBER	3538-006
DO NOT SCALE PRINT BREAK ALL SHARP EDGES				SIZE	A	SCALE	1:5	
ODD DASH NO'S SHOWN NEXT HIGHER CONSECUTIVE EVEN DASH NUMBER OPPOSITE						SHEET NO.	3 OF 5	


REV.	DATE	DESCRIPTION
IR	12/12/08	INITIAL RELEASE
A	02/03/10	-3 ADDED



DETAIL -1 DEPLOYED-ROTATED

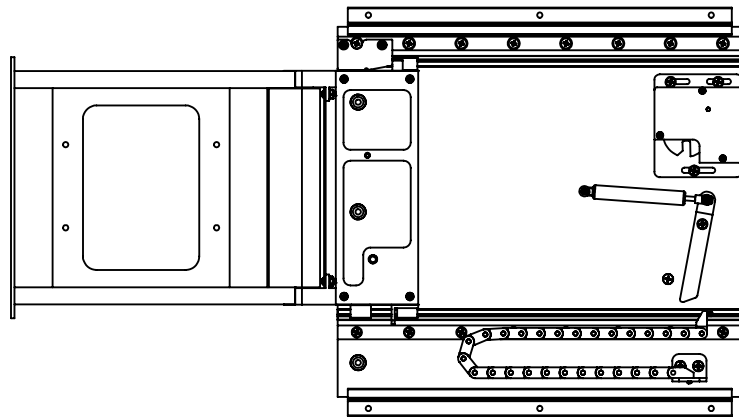
DETAIL -1 STOWED

STEECON CORPORATION PROPRIETARY RIGHTS ARE INCLUDED IN THE INFORMATION DISCLOSED HEREIN. RECIPIENT BY ACCEPTING THIS DOCUMENT AGREES THAT NEITHER THIS DOCUMENT NOR THE INFORMATION DISCLOSED HEREIN NOR ANY PART THEREOF SHALL BE REPRODUCED OR TRANSFERRED TO OTHER DOCUMENTS OR USED OR DISCLOSED TO OTHERS FOR MANUFACTURING OR FOR ANY OTHER PURPOSE EXCEPT AS SPECIFICALLY AUTHORIZED IN WRITING BY STEECON CORPORATION.

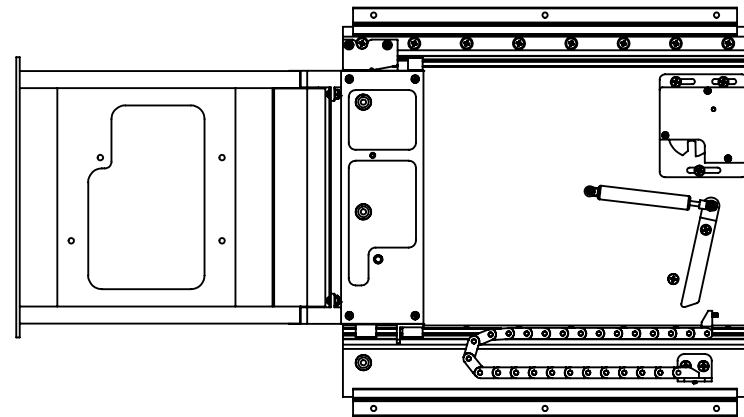
UNLESS OTHERWISE SPECIFIED DIMENSIONS ARE IN INCHES		DRAWN BY	MT	DATE	12/12/08	 5362 INDUSTRIAL DRIVE HUNTINGTON BEACH, CA 92649	
TOLERANCES ON DECIMALS		CHECKED BY	MH	DATE	12/12/08		
ANGLES		APPROVED	MH	DATE	12/12/08		
.0 ± .1	MACH.	FORMED					
.00 ± .01	±0°30'	±2°				TITLE	PULL OUT MONITOR
.000 ± .005		DO NOT SCALE PRINT BREAK ALL SHARP EDGES		SIZE	A	SCALE	1:7
ODD DASH NO'S SHOWN NEXT HIGHER CONSECUTIVE EVEN DASH NUMBER OPPOSITE				DRAWING NUMBER	3538-006		SHEET NO. 4 OF 5

FILE: 3538-006 PULL OUT MONITOR ASSEMBLY

REV.	DATE	DESCRIPTION
IR	12/12/08	INITIAL RELEASE
A	02/03/10	-3 ADDED




DETAIL -1 DEPLOYED



DETAIL -3 DEPLOYED

STEECON CORPORATION PROPRIETARY RIGHTS ARE INCLUDED IN THE INFORMATION DISCLOSED HEREIN. RECIPIENT BY ACCEPTING THIS DOCUMENT AGREES THAT NEITHER THIS DOCUMENT NOR THE INFORMATION DISCLOSED HEREIN NOR ANY PART THEREOF SHALL BE REPRODUCED OR TRANSFERRED TO OTHER DOCUMENTS OR USED OR DISCLOSED TO OTHERS FOR MANUFACTURING OR FOR ANY OTHER PURPOSE EXCEPT AS SPECIFICALLY AUTHORIZED IN WRITING BY STEECON CORPORATION.

UNLESS OTHERWISE SPECIFIED DIMENSIONS ARE IN INCHES			DRAWN BY	MT	DATE	12/12/08	 5362 INDUSTRIAL DRIVE HUNTINGTON BEACH, CA 92649	
TOLERANCES ON DECIMALS			CHECKED BY	MH	DATE	12/12/08		
.0 ± .1	MACH.	FORMED	APPROVED	MH	DATE	12/12/08		
.00 ± .01	±0°30'	±2°						
.000 ± .005			DO NOT SCALE PRINT BREAK ALL SHARP EDGES				TITLE	
ODD DASH NO'S SHOWN NEXT HIGHER CONSECUTIVE EVEN DASH NUMBER OPPOSITE			SIZE				A	SCALE
			1:7				DRAWING NUMBER	SHEET NO.
			3538-006				5 OF 5	

FILE: 3538-006 PULL OUT MONITOR ASSEMBLY

REV A