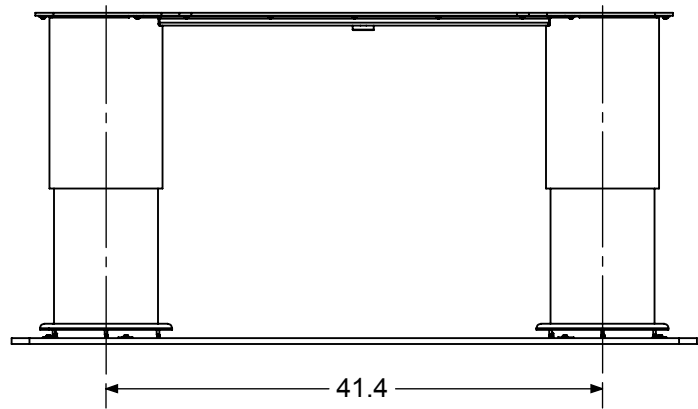
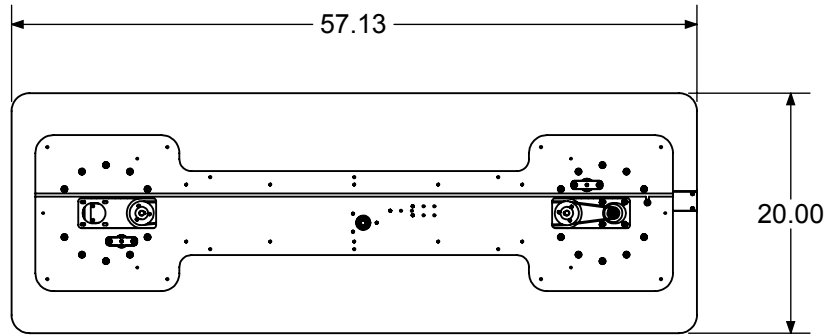
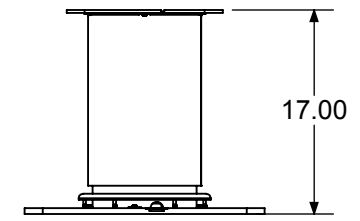
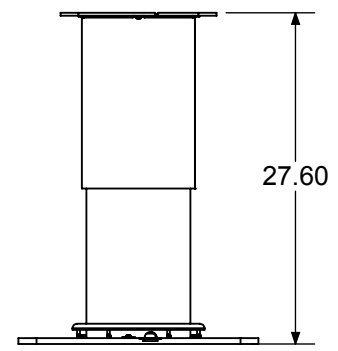


REV.	DATE	DESCRIPTION
IR	8/27/15	INITIAL RELEASE




DETAIL -1 DEPLOYED



DETAIL -1 STOWED

PROPRIETARY INFORMATION: STEECON CORPORATION PROPRIETARY RIGHTS ARE INCLUDED IN THE INFORMATION DISCLOSED HEREIN. RECIPIENT BY ACCEPTING THIS DOCUMENT AGREES THAT NEITHER THIS DOCUMENT NOR THE INFORMATION DISCLOSED HEREIN NOR ANY PART THEREOF SHALL BE REPRODUCED OR TRANSFERRED TO OTHER DOCUMENTS OR USED OR DISCLOSED TO OTHERS FOR MANUFACTURING OR FOR ANY OTHER PURPOSE EXCEPT AS SPECIFICALLY AUTHORIZED IN WRITING BY STEECON CORPORATION.

UNLESS OTHERWISE SPECIFIED DIMENSIONS ARE IN INCHES			DRAWN BY	JD	DATE	8/27/15	 5362 INDUSTRIAL DRIVE HUNTINGTON BEACH, CA 92649	
TOLERANCES ON DECIMALS			CHECKED BY	MH	DATE	8/27/15		
.0 ± .1	MACH.	FORMED	APPROVED	MH	DATE	8/27/15		
.00 ± .01			±0°30'	±2°				
.000 ± .005							TITLE	DUAL PEDESTAL HI LO TABLE-ELECTRIC
DO NOT SCALE PRINT BREAK ALL SHARP EDGES					SIZE	A	SCALE	1:16
ODD DASH NO'S SHOWN NEXT HIGHER CONSECUTIVE EVEN DASH NUMBER OPPOSITE					DRAWING NUMBER	3537-075-1-001	SHEET NO.	2 OF 3

REV IR 0
FILE: 3537-075-1-001 DUAL PEDESTAL HI LO TABLE-ELECTRIC