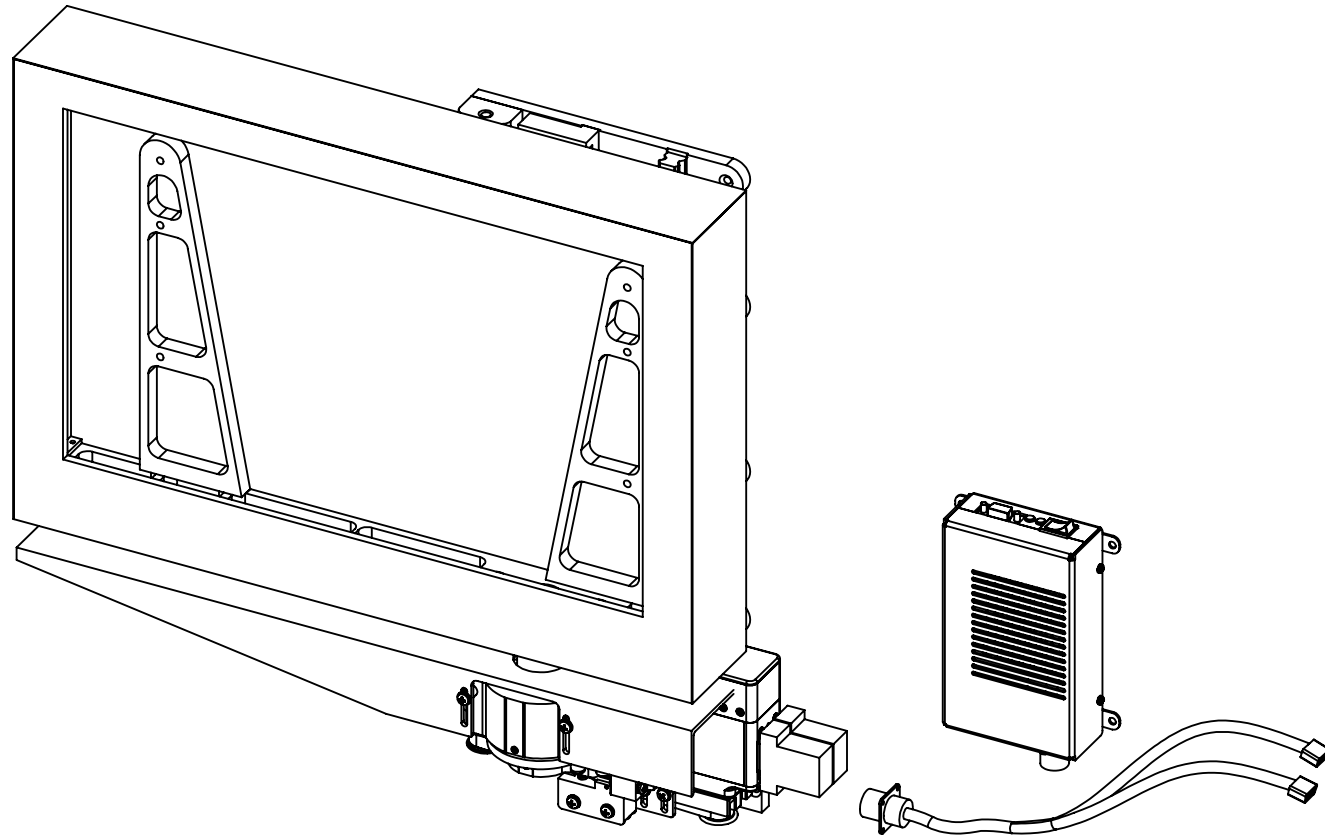



| | | | | |
|---------|------|-------------|--------------------|------|
| 1 | 4 | 3513047 | WIRE HARNESS | |
| 1 | 3 | 3528645-1 | MONITOR ASSEMBLY | |
| 1 | 2 | 3528644-1 | BASE ASSEMBLY | |
| 1 | 1 | 3502744-1 | ENCLOSURE ASSEMBLY | |
| -1/QTY. | ITEM | PART NUMBER | Description | SPEC |

| REV. | DATE | DESCRIPTION |
|------|----------|--|
| IR | 07/04/08 | INITIAL RELEASE |
| A | 10/24/08 | UPDATED NOTES, REMOVED "EQUIVALENT" NOTE |
| B | 3/18/09 | ADDED SPACER, P/N 3528551 |
| C | 11/02/09 | ASSEMBLY MODIFIED |



DETAIL -1 MONITOR LIFT - 20"

| | | | | | | | |
|---|--------|--------|------------------------|--|-----------------------------------|--|--|
| UNLESS OTHERWISE SPECIFIED DIMENSIONS ARE IN INCHES | | | DRAWN BY J CILEO | | DATE 07/04/08 | |  STEECON ENTERPRISES 5362 INDUSTRIAL DRIVE HUNTINGTON BEACH, CA 92649 |
| TOLERANCES ON DECIMALS | | | CHECKED BY M HANSON | | DATE 07/04/08 | | |
| ANGLES | | | APPROVED M HANSON | | DATE 07/04/08 | | |
| .0 ± .1 | MACH. | FORMED | | | | | |
| .00 ± .01 | | | | | | | |
| .000 ± .005 | ±0°30' | ±2° | | | | | |
| DO NOT SCALE PRINT BREAK ALL SHARP EDGES | | | | | | | TITLE MONITOR LIFT-20" |
| ODD DASH NO'S SHOWN NEXT HIGHER CONSECUTIVE EVEN DASH NUMBER OPPOSITE | | | | | SIZE A | | SCALE 1:5 |
| | | | | | DRAWING NUMBER 3529-010 | | SHEET NO. 1 OF 3 |

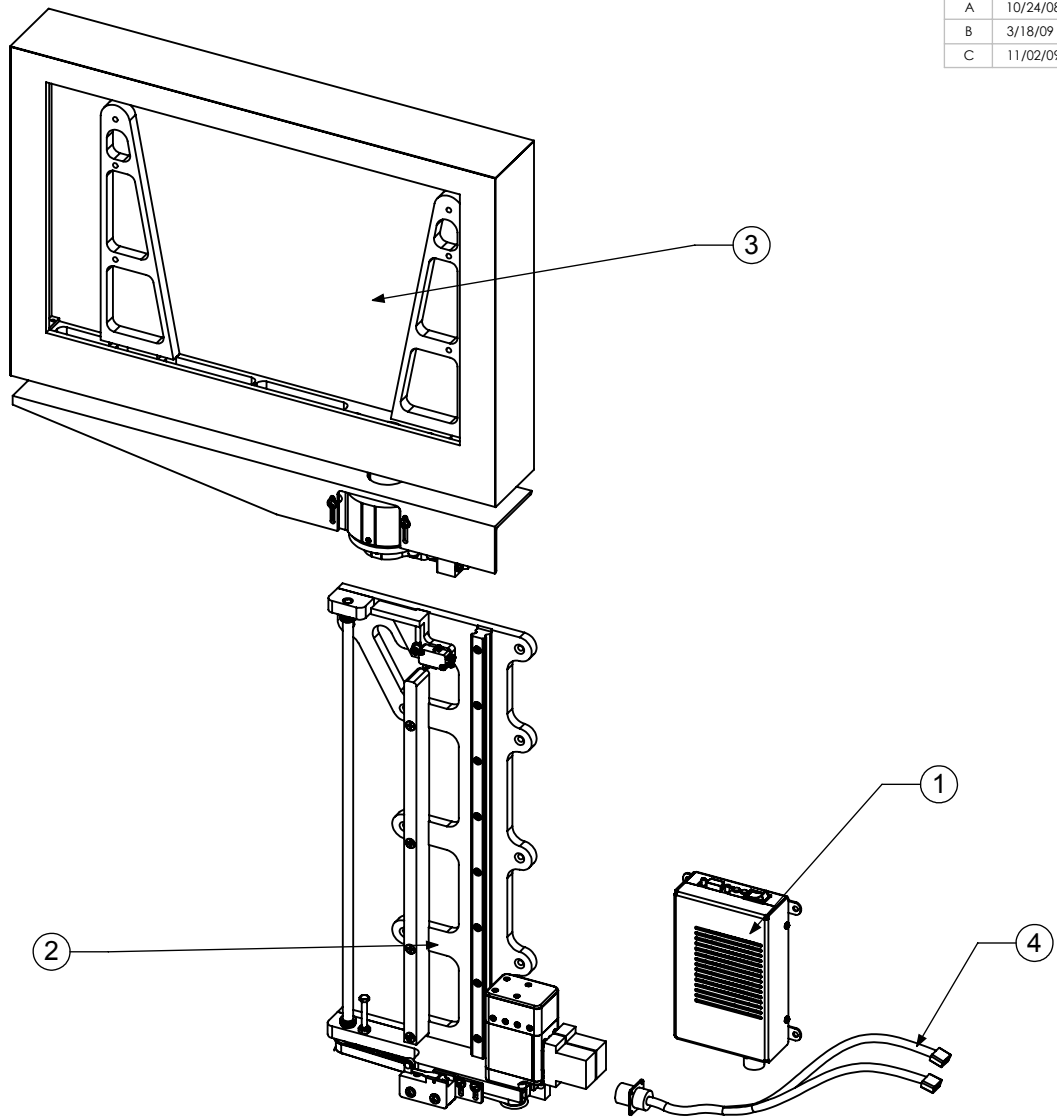
STEECON CORPORATION PROPRIETARY RIGHTS ARE INCLUDED IN THE INFORMATION DISCLOSED HEREIN. RECIPIENT BY ACCEPTING THIS DOCUMENT AGREES THAT NEITHER THIS DOCUMENT NOR THE INFORMATION DISCLOSED HEREIN NOR ANY PART THEREOF SHALL BE REPRODUCED OR TRANSFERRED TO OTHER DOCUMENTS OR USED OR DISCLOSED TO OTHERS FOR MANUFACTURING OR FOR ANY OTHER PURPOSE EXCEPT AS SPECIFICALLY AUTHORIZED IN WRITING BY STEECON CORPORATION.

8 7 6 5 4 3 2 1


| REV. | DATE | DESCRIPTION |
|------|----------|--|
| IR | 07/04/08 | INITIAL RELEASE |
| A | 10/24/08 | UPDATED NOTES, REMOVED "EQUIVALENT" NOTE |
| B | 3/18/09 | ADDED SPACER, P/N 3528551 |
| C | 11/02/09 | ASSEMBLY MODIFIED |

D
C
B
A

D
C
B
A



DETAIL -1 MONITOR LIFT - 20"

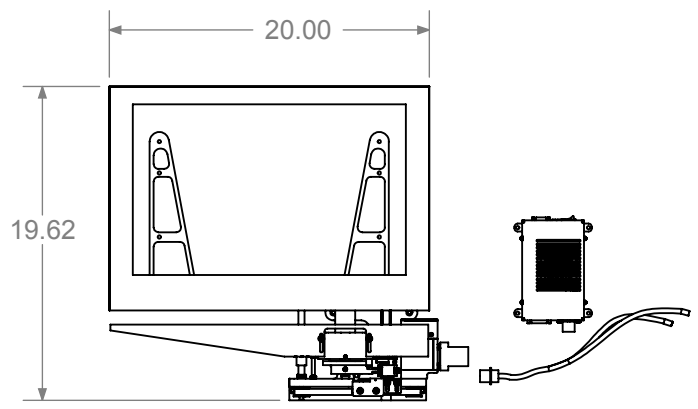
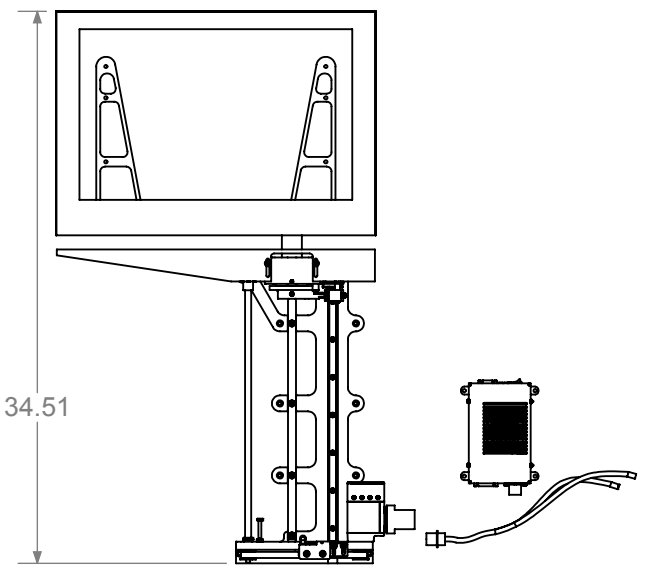
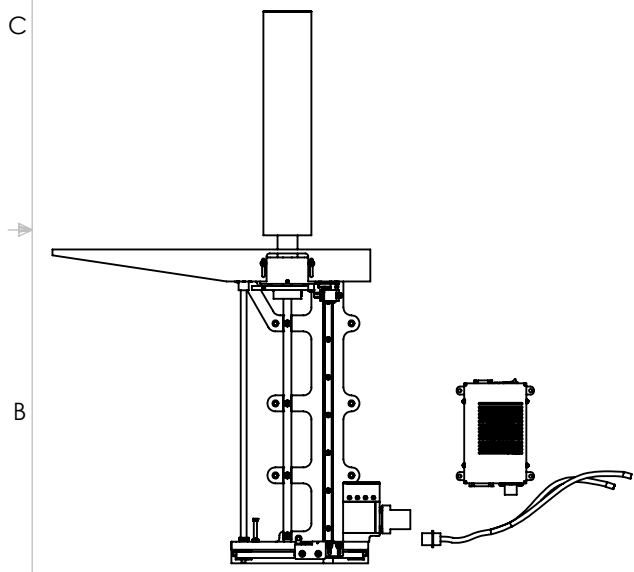
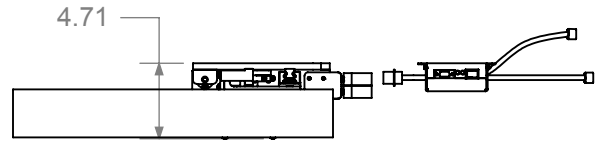
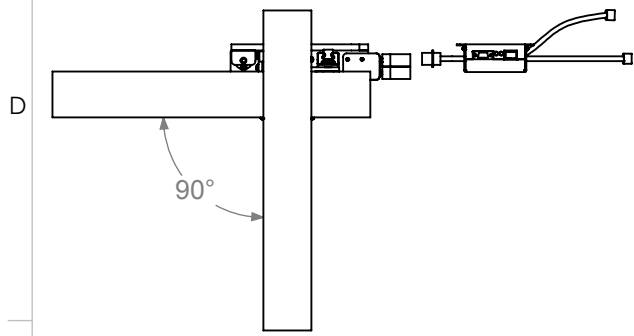
| | | | | | | | | |
|---|--|--|---------------------|--|---------------|--|---|--|
| UNLESS OTHERWISE SPECIFIED DIMENSIONS ARE IN INCHES | | | DRAWN BY J CILEO | | DATE 07/04/08 | |  STEECON ENTERPRISES 5362 INDUSTRIAL DRIVE HUNTINGTON BEACH, CA 92649 | |
| TOLERANCES ON DECIMALS | | | CHECKED BY M HANSON | | DATE 07/04/08 | | | |
| ANGLES | | | APPROVED M HANSON | | DATE 07/04/08 | | | |
| .0 ± .1 .00 ± .01 .000 ± .005 | | | Q.C. | | DATE | | | |
| MACH. FORMED | | | CUSTOMER | | DATE | | TITLE MONITOR LIFT-20" | |
| DO NOT SCALE PRINT BREAK ALL SHARP EDGES | | | | | DATE | | DRAWING NUMBER 3529-010 | |
| ODD DASH NO'S SHOWN NEXT HIGHER CONSECUTIVE EVEN DASH NUMBER OPPOSITE | | | | | DATE | | SHEET NO. 2 OF 3 | |
| | | | | | SIZE A | | SCALE 1:7 | |

STEECON CORPORATION PROPRIETARY RIGHTS ARE INCLUDED IN THE INFORMATION DISCLOSED HEREIN. RECIPIENT BY ACCEPTING THIS DOCUMENT AGREES THAT NEITHER THIS DOCUMENT NOR THE INFORMATION DISCLOSED HEREIN NOR ANY PART THEREOF SHALL BE REPRODUCED OR TRANSFERRED TO OTHER DOCUMENTS OR USED OR DISCLOSED TO OTHERS FOR MANUFACTURING OR FOR ANY OTHER PURPOSE EXCEPT AS SPECIFICALLY AUTHORIZED IN WRITING BY STEECON CORPORATION.

8 7 6 5 4 3 2 1

8 7 6 5 4 3 2 1

| REV. | DATE | DESCRIPTION |
|------|----------|--|
| IR | 07/04/08 | INITIAL RELEASE |
| A | 10/24/08 | UPDATED NOTES, REMOVED "EQUIVALENT" NOTE |
| B | 3/18/09 | ADDED SPACER, P/N 3528551 |
| C | 11/02/09 | ASSEMBLY MODIFIED |




**DETAIL -1 DEPLOYED
90 DEGREE ROTATED**

DETAIL -1 DEPLOYED

DETAIL -1 STOWED

A

| | | | | | | | | |
|---|--|--|---------------------|--|---------------|--|---|--|
| UNLESS OTHERWISE SPECIFIED DIMENSIONS ARE IN INCHES | | | DRAWN BY J CILEO | | DATE 07/04/08 | |  STEECON ENTERPRISES 5362 INDUSTRIAL DRIVE HUNTINGTON BEACH, CA 92649 | |
| TOLERANCES ON DECIMALS | | | CHECKED BY M HANSON | | DATE 07/04/08 | | | |
| ANGLES | | | APPROVED M HANSON | | DATE 07/04/08 | | | |
| .0 ± .1 | | | Q.C. | | DATE | | | |
| .00 ± .01 | | | CUSTOMER | | DATE | | TITLE | |
| .000 ± .005 | | | | | | | MONITOR LIFT-20" | |
| DO NOT SCALE PRINT BREAK ALL SHARP EDGES | | | | | | | DRAWING NUMBER | |
| ODD DASH NO'S SHOWN NEXT HIGHER CONSECUTIVE EVEN DASH NUMBER OPPOSITE | | | | | SIZE A | | SCALE 1:12 | |
| | | | | | | | DRAWING NUMBER 3529-010 | |
| | | | | | | | SHEET NO. 3 OF 3 | |

STEECON CORPORATION PROPRIETARY RIGHTS ARE INCLUDED IN THE INFORMATION DISCLOSED HEREIN. RECIPIENT BY ACCEPTING THIS DOCUMENT AGREES THAT NEITHER THIS DOCUMENT NOR THE INFORMATION DISCLOSED HEREIN NOR ANY PART THEREOF SHALL BE REPRODUCED OR TRANSFERRED TO OTHER DOCUMENTS OR USED OR DISCLOSED TO OTHERS FOR MANUFACTURING OR FOR ANY OTHER PURPOSE EXCEPT AS SPECIFICALLY AUTHORIZED IN WRITING BY STEECON CORPORATION.

8 7 6 5 4 3 2 1