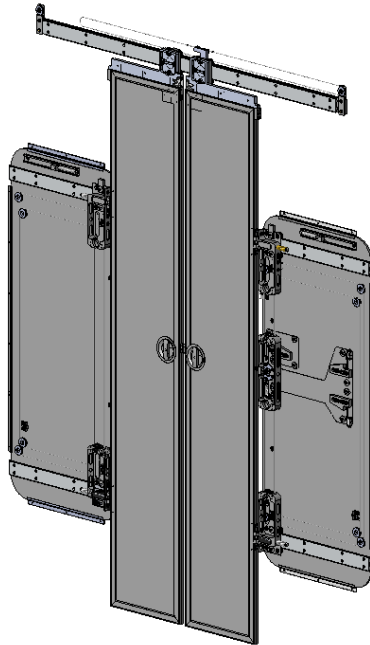


POCKET DOOR ASSEMBLY

Dual Door
Manual Operation
P/N 3519-191



Features:

- Dual latching with cockpit indicator
- Unique frangible hinges allow door to rotate for decompression/egress with door reset capability
- Shear pin used for sudden decompression loads and eliminates the need for a rotating header
- Linked cable system for synchronized movement
- Preassembled for quick/easy installation

Technical Specifications:

- Custom manufactured for installation in: *Airbus and Boeing Business Jet* aircraft
- Door width can vary from 24" to 34"
- Pocket size required: 2.25" minimum
- Door panel size: .75" for a maximum finished thickness of 1.0"
- Can have synchronized or separate door operation
- Technical specs can be customized upon request

Aircraft Interior Pocket Doors • Tables • Monitor Lifts

Design, Engineering, and Manufacturing

Huntington Beach, CA 92649 USA

Tel: +1-714-895-5313 • Fax +1-714-895-3535

info@steecon.com • www.steecon.com