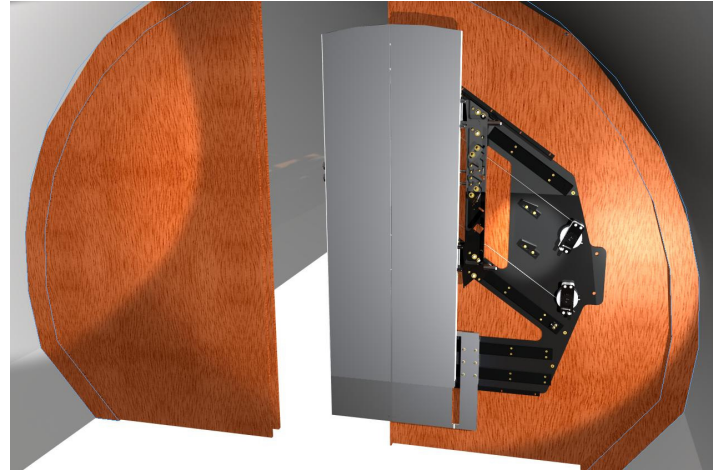
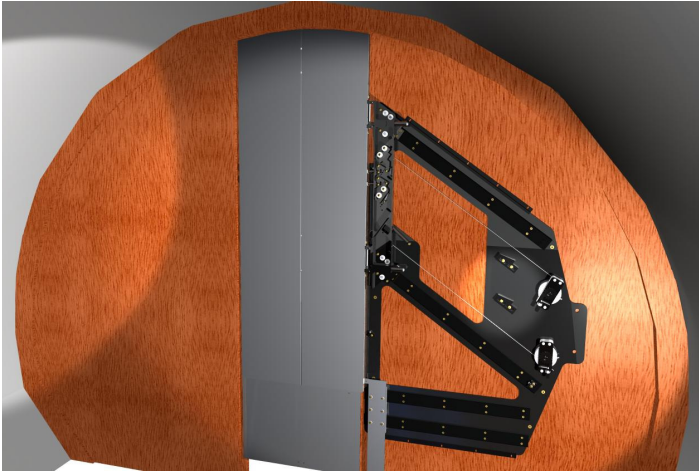


POCKET DOOR ASSEMBLY
MID-CABIN
MANUAL OPERATION
P/N 3519-175



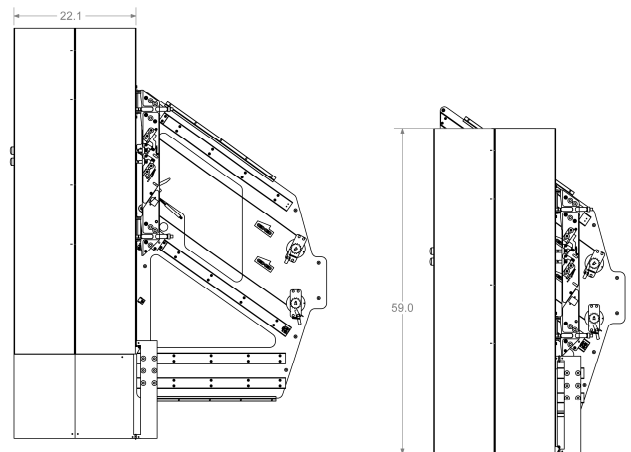
Finish material not included

Features:

- Unique frangible hinges allow door to rotate for decompression/egress with door reset capability
- Break-away footer/descender provides 2nd decompression outlet
- Mid-break/split door panel offers 3rd decompression source
- Preassembled for quick/easy installation
- Electric motor upgrade available

Technical Specifications:

- Opening size: 22"
- Assembly weight: 35 lbs. includes door panel, footer panel and support panel assembly
- 2.25" pocket required
- Technical specs can be customized upon request



30 year industry leader in creative design solutions

Pocket Doors • Tables • Monitor Lifts

5362 Industrial Drive, Huntington Beach, CA 92649 USA

Tel: +1-714-895-5313 • Fax +1-714-895-3535

Email: info@steecon.com • Website: www.steecon.com