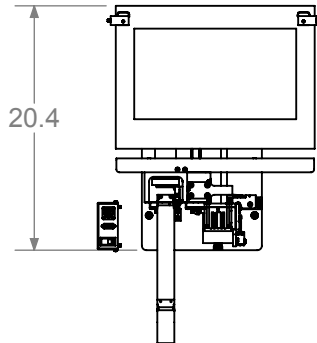
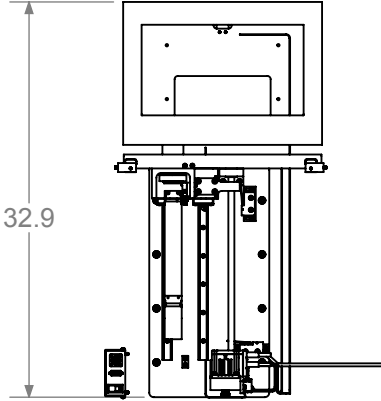


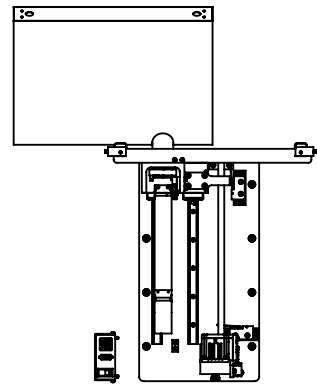
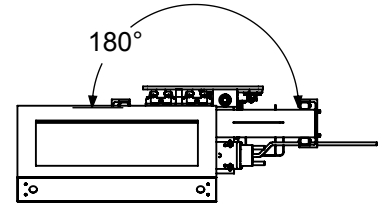
REV.	DATE	DESCRIPTION
IR	8/27/14	INITIAL RELEASE



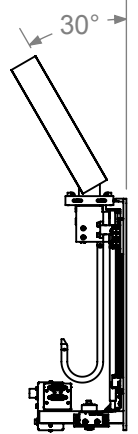
DETAIL -1  
STOWED




DETAIL -1  
DEPLOYED



DETAIL -1  
DEPLOYED, ROTATED AND TILTED



UNLESS OTHERWISE SPECIFIED DIMENSIONS ARE IN INCHES			DRAWN BY	MH	DATE	8/27/14	 5362 INDUSTRIAL DRIVE HUNTINGTON BEACH, CA 92649
TOLERANCES ON DECIMALS			CHECKED BY	JD	DATE	8/27/14	
ANGLES			APPROVED	JD	DATE	8/27/14	
.0 ± .15	MACH.	FORMED					
.00 ± .01							
.000 ± .005	±0°30'	±2°					
DO NOT SCALE PRINT BREAK ALL SHARP EDGES					SIZE	A	TITLE <b>15IN MONITOR LIFT ASSEMBLY</b> DRAWING NUMBER <b>3529-025-1-001</b>
ODD DASH NO'S SHOWN NEXT HIGHER CONSECUTIVE EVEN DASH NUMBER OPPOSITE					SCALE	1:16	

STEECON CORPORATION PROPRIETARY RIGHTS ARE INCLUDED IN THE INFORMATION DISCLOSED HEREIN. RECIPIENT BY ACCEPTING THIS DOCUMENT AGREES THAT NEITHER THIS DOCUMENT NOR THE INFORMATION DISCLOSED HEREIN NOR ANY PART THEREOF SHALL BE REPRODUCED OR TRANSFERRED TO OTHER DOCUMENTS OR USED OR DISCLOSED TO OTHERS FOR MANUFACTURING OR FOR ANY OTHER PURPOSE EXCEPT AS SPECIFICALLY AUTHORIZED IN WRITING BY STEECON CORPORATION.

FILE:3529-025-1-001 15IN MONITOR LIFT ASSEMBLY REV IR B